

GRABER. | DELIGHT IN
EVERY DETAIL

Graber Vertical Blinds
US Price Guide
January 2026

VERTICAL BLINDS

Product Information Guide

Features

Vertical Blinds: Vane Styles and Information	2
Sheer Vertical Blinds: Styles, Fabric Content, Light Control, Light Control Levels	3
Oeko-Tex® Standard 100 Certified Fabrics	3
NFPA 701	3

Size Considerations

Vertical Blinds: Vane Features	4
Easy Track Vertical Blinds Size Charts, Summary	5
Vertical Blinds: Depth Requirements for Inside Mount, Sheer Vertical Blinds: Depth Requirements for Inside Mount	6

Options

Vertical Blinds: Control Options	7
Vertical Blinds and Sheer Vertical Blinds: Stacking Options	8
Vertical Blinds: Installation Types	8
Vertical Blinds: Cut-Out Blinds	9
Vertical Blinds: Stay Clear™ Channel Panel for Fabric Vanes	9
Vertical Blinds and Sheer Vertical Blinds: Replacement Vane Ordering	9
Vertical Blinds and Sheer Vertical Blinds: Bay and Corner Windows	10
Vertical Blinds: Square-Corner Valance	11
Easy Track Economy Channel and Square-Corner Valance	11
Vertical Blinds and Sheer Vertical Blinds: Round-Corner and Double Round-Corner Valances	11
Sheer Vertical Blinds: Dauphine® Valance	12
Vertical Blinds and Sheer Vertical Blinds: Clear Opening: How to Measure for Uncovered Window	12
Sheer Vertical Blinds: Hem Style	12
Vertical Blinds and Sheer Vertical Blinds: Installation Hardware	13
Vertical Blinds and Sheer Vertical Blinds: Number of Mounting Brackets	13
Vertical Blinds: Vane Stacking Chart: 3½"	14
Sheer Vertical Blinds: Vane Color Coordination Chart	15
Sheer One Touch®: Vane Stacking Chart: Outside Mount	15
G-71 (Premium Track) Product Detail	16
G-98 (Smooth Track) Product Detail	17
Easy Track Product Detail	18

PLEASE NOTE:

Photos and illustrations are for inspiration only.
Not all product configurations are available in all countries.

Window blind cords are a strangulation hazard for young children. Consult your dealer or store associate for cordless products, or products with inaccessible cords. Remove this product immediately if a cord longer than 22 cm, or a loop exceeding 44 cm, becomes accessible.

VEUILLEZ NOTER :

Les photos et les illustrations ne sont offertes qu'à titre d'inspiration. Toutes les configurations de produits ne sont pas disponibles dans tous les pays.

Les cordons pour store de fenêtre représentent un risque d'étranglement pour les jeunes enfants. Consultez votre dépositaire ou un associé de magasin pour des produits sans cordon ou des produits dont les cordons ne sont pas accessibles.

Retirez ce produit immédiatement si un cordon mesurant plus de 22 cm de longueur ou une boucle dépassant 44 cm deviennent accessibles.

GRABER.

DECEMBER 2025

Features

- Choose from a variety of fabric, crown vinyl, or S-shaped vinyl vanes
- S-shaped vanes feature a rolling drapery look
- Fabric vanes can be free hanging or inserted into channel panel for more light control and privacy
- Many vinyl styles coordinate with Graber® 2" Horizontal Vinyl Blinds
- Several fabric styles coordinate with Graber FashionPleat®, EvenPleat®, or LightWeaves® Shades

Vertical Blinds: Vane Styles and Information

Collection Name	Material Content	Light Control	Vane Style	Street Side Appearance	Coordinates
Fabric					
Allure	Fabric	Light filtering/room darkening	FH or INS	Same front and back	
Baskerville	Fabric	Light filtering/transparent	FH or INS	Same front and back	
Compass®	Fabric	Room darkening	FH	White	
Crossweave®	Fabric	Light filtering	FH or INS	Same front and back	
Devon	Fabric	Light filtering	FH or INS	Same front and back	
Grasses	Fabric	Light filtering	FH or INS	Neutral	
Harmony®	Fabric	Light filtering/transparent	FH or INS	Same front and back	LightWeaves Roller
Network	Fabric	Light filtering	FH or INS	Same front and back	
Prescott®	Fabric	Room darkening	FH	White	
Royale®	Fabric	Light filtering/transparent	FH or INS	Same front and back	
Sheffield®	Fabric	Light filtering/transparent	FH or INS	Same front and back	LightWeaves Roller
Tahiti Weave	Fabric	Light filtering	FH or INS	Neutral	
Thatch	Fabric	Light filtering	FH or INS	Neutral	
Tuvalu®	Fabric	Light filtering/transparent	FH or INS	Same front and back	
Urban Loft®	Fabric	Light filtering/transparent	FH or INS	Same front and back	
S-Shaped Vinyl					
Georgetown S	100% vinyl	Room darkening	S-shaped	Neutral	2" horizontal vinyl
Homespun II S	100% vinyl	Room darkening	S-shaped	Neutral	
Linen S	100% vinyl	Room darkening	S-shaped	Neutral	2" horizontal vinyl
Quantum S	100% vinyl	Room darkening	S-shaped	Neutral	
Crown Vinyl					
Acropolis	100% vinyl	Room darkening	Crown	Neutral	
Cachet	100% vinyl	Room darkening	Crown	Neutral	2" horizontal vinyl
Channel Panel	100% vinyl	Room darkening	Crown	Same front and back	
Chenille	100% vinyl	Room darkening	Crown	Neutral	
Coronation	100% vinyl	Room darkening	Crown	Neutral	2" horizontal vinyl
Crown	100% vinyl	Room darkening	Crown	Neutral	2" horizontal vinyl
Fiber	100% vinyl	Room darkening	Crown	Neutral	2" horizontal vinyl
Grotto	100% vinyl	Room darkening	Crown	Same front and back	
Homespun II	100% vinyl	Room darkening	Crown	Neutral	2" horizontal vinyl
Kensington	100% vinyl	Room darkening	Crown	Neutral	2" horizontal vinyl
Lake Forest®	100% vinyl	Room darkening	Crown	Same front and back	Lake Forest Faux Wood Blinds
Parallels	100% vinyl	Room darkening	Crown	Neutral	
Quantum	100% vinyl	Room darkening	Crown	Neutral	2" horizontal vinyl
Rapture	100% vinyl	Room darkening	Crown	Neutral	2" horizontal vinyl
Safari	100% vinyl	Room darkening	Crown	Neutral	2" horizontal vinyl
Satin Stripe	100% vinyl	Room darkening	Crown	Neutral	
Stowe	100% vinyl	Room darkening	Crown	Neutral	
Window Weaves	100% vinyl	Room darkening	Crown	Neutral	

®Oeko-Tex® fabric

FR = Flame resistant NFPA 701

FH = Free hanging fabric

INS = Fabric inserted into channel panel

Features

Sheer vertical blinds combine the soft look of sheer fabric draperies and the light control benefits of vinyl vertical blinds. When the vanes are open, softly diffused light streams into the room through sheer fabric for minimal privacy and light control; when closed, light is blocked from entering the room to provide maximum privacy and light control. Not only for patio doors, sheer vertical blinds also look beautiful on wider or uniquely shaped windows. Plus, sheer vertical fabrics are easily removed and machine washable.

- Fabric easily installed and removed—no need to take down entire blind
- Easily replace original fabric with different style or color when décor changes
- Fabric is machine washable
- Color coordinated thread for a finished appearance
- Heavy-duty aluminum headrail with steel pantograph system ensures smooth operation and proportional spacing of vanes
- Available as outside mount only
- Stems are removable for easy replacement in the home

Sheer Vertical Blinds: Styles, Fabric Content, and Light Control

Collection Name	Material Content	Light Control	Vane Style	Street Side Appearance
Dijon	100% polyester	Sheer/room darkening	FH	Neutral
Gossamer	100% polyester	Sheer/room darkening	FH	Neutral
Highlight	100% polyester	Sheer/room darkening	FH	Neutral

Light Control Levels

Light Filtering: Light is filtered to varying degrees depending on fabric style and color; silhouettes of objects and people are visible through the blind.

Room Darkening: Light is substantially blocked; vague shadows of objects or people may be visible; maximum room darkening is achieved with darker colors.

Sheer: Allows light to enter the room where light control and privacy are not a concern. Objects in the room can be seen quite clearly through open blinds.

Oeko-Tex® Standard 100 Certified Fabrics

Oeko-Tex Standard 100 certifies that our fabrics are free of PVC, halogen, lead, formaldehyde, allergenic dyes, pesticides, phenols, heavy metals, and meet all VOC content limits.

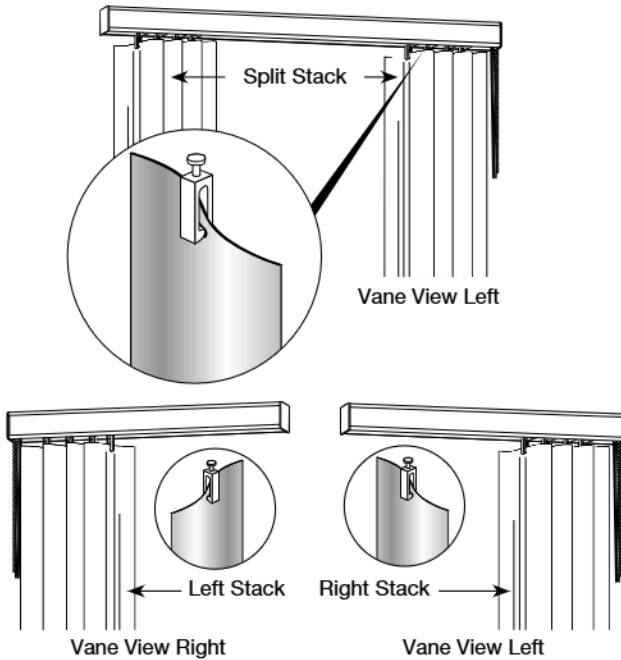
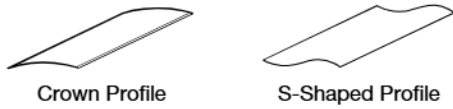


NFPA 701

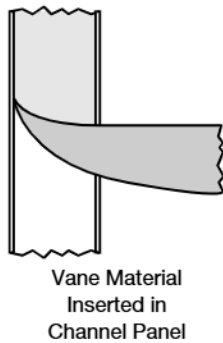
NFPA 701 Flame resistance test is the standard method of fire tests for flame propagation of textiles and films by the National Fire Protection Agency.

Features

Vertical Blinds: Vane Features



Vane View: Side the color or texture is facing when vanes are rotated open so you can see through the vanes to the street.



PVC Styles

- All PVC vanes offer value, durability, easy cleaning, and superior light control
- Choose from embossed crown, smooth crown, or S-shaped embossed PVC vanes
- Embossed textures offered in solids or prints with the look of jacquard or linen fabrics, wood, or stucco

PVC Crown Vanes

- Traditional curved vanes

PVC S-Shaped Vanes

- Provide a more drapery-like look to your vertical blinds
- Provide better closure for more light control and privacy
- Valances are made with crown PVC of the same texture and color; dye lot cannot be guaranteed
- S-shaped vanes are NOT reversible; vane view shows which side the color/texture is facing when vanes are rotated open so you can see out the window
 - Right stack and split stack—left
 - Left stack—right
- You may choose a vane view other than the recommended if you are concerned about which side of the vane you will see when blinds are rotated open

NOTE: See illustrations on how S-shaped vanes will hang.

Fabric Vanes

- Designer fabric vane styles range from sheer to room darkening in a variety of weaves and materials
- Free-hanging vanes come with sewn-in bottom weights
- For increased privacy and room darkening, fabric vanes can be inserted into channel panels; the clear edge channels hold fabric securely and will not yellow over time; the opaque vinyl vanes provide additional privacy and light control; see price charts for replacement pricing

Additional Information

- Due to the nature of vane materials (both fabric and vinyl prints), colors may vary slightly from dye lot to dye lot; exact matches cannot be guaranteed
- Due to the random design of some vane patterns, exact alignment of the pattern across the blind is not possible

Size Considerations

Easy Track Vertical Blinds Size Charts

	Easy Track Vertical Blinds			
	Width		Height	
	Minimum Single Stack (inches)	Maximum (inches)	Minimum (inches)	Maximum* (inches)
One Touch®	5 exact	191 exact	8½	126

Factory Deductions

Mount	Mount Bracket Location	Valance	Height Deduction G-71 (Premium Track) (inches)	Height Deduction G-98 (Smooth Track) (inches)	Height Deduction Easy Track (inches)
Outside	All types	Yes/no	0	0	0
Inside	Ceiling or top	No	⅝	½	½
Inside	Ceiling or top	Yes	¾	⅝	½
Inside	Wall or back	No	1⅞	⅞	⅞
Inside	Wall or back	Yes	1⅞	1⅞	1⅞

Easy Track	
Mount	Width Deductions (inches)
Outside	0
Inside	¼

	G-71 (Premium Track) & G-98 (Smooth Track) Vertical Blinds				
	Width			Height	
	Minimum Single Stack (inches)	Minimum Split Stack (inches)	Maximum (inches)	Minimum (inches)	Maximum (inches)
One Touch®	9	N/A	144	12	104

Summary

The following is a list of options for vertical and sheer vertical blinds. All options are available in all styles and colors. Limitations will be based on fabric width. See detailed descriptions on the following pages.

Vertical Blinds

Options—No Charge

- Bay and corner windows
- Projection bracket: 4⅜" (G-71 (Premium Track), G-98 (Smooth Track)), 4½" (Easy Track)

Control Type Option—No Charge

- Wand Control

Options—Surcharge (see price charts for pricing and/or surcharges)

- Cut-outs
- Round-corner valance
- Square-corner valance
- Stay Clear™ channel panels
- Channel panels (available in Ivory and White)
- Wood cornices and valances (see cornices and valances product information guide)
- Economy Channel Panel Valance (Easy Track Only)

Sheer Vertical Blinds

Options—No Charge

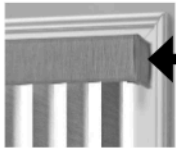
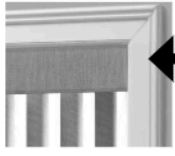
- Bay and corner windows
- Dauphine® valance

Options—Surcharge (see price charts for pricing and/or surcharges)

- Round-corner valance
- Double round-corner valance
- Wood cornices and valances (see cornices and valances product information guide)

Options

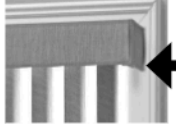
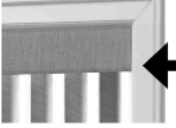
Depth Requirements for Inside Mount

	Headrail Dimensions (inches)	 Partially recessed headrail in window casing/molding Minimum Depth Mount (inches)	Headrail Flush with Casing (vanes and/or valance not flush with casing) (inches)	Depth Needed for Flush Mount Vane (inches)	 Fully recessed valance in window casing/molding Depth Needed for Flush Mount Vane (inches)
G-71 (Premium Track)	1 $\frac{3}{8}$ x 1 $\frac{5}{16}$	2 $\frac{3}{8}$	3	3 $\frac{3}{4}$	4 $\frac{5}{8}$
G-98 (Smooth Track)	1 $\frac{1}{8}$ x 1 $\frac{1}{8}$	2 $\frac{3}{8}$	2 $\frac{1}{16}$	3 $\frac{3}{4}$	4 $\frac{5}{8}$
Easy Track	1 $\frac{3}{4}$ x 1 $\frac{1}{4}$	1 $\frac{1}{8}$	2 $\frac{1}{4}$	N/A	3 $\frac{1}{2}$

Sheer Vertical Blinds

	Width		Height	
	Minimum (inches)	Maximum (inches)	Minimum (inches)	Maximum (inches)
One Touch	17	144	19	104

Depth Requirements for Inside Mount

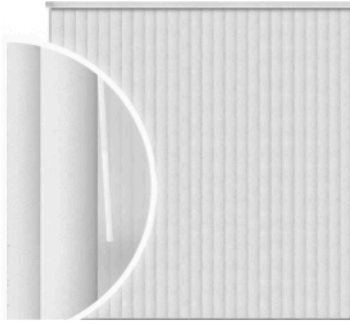
 Partially recessed headrail in window casing/molding Minimum Depth Partially Recessed Mount (inches)	Depth Needed for Flush Mount Headrail (inches)	Depth Needed for Flush Mount Vane (inches)	 Fully recessed valance in window casing/molding Depth Needed for Flush Mount Valance (inches)
2 $\frac{3}{8}$	3	5 $\frac{1}{4}$	6

Partially Recessed: A partially recessed window treatment is where the depth of the window casing is less than the space necessary for a flush mount.

Flush Mount: If the window casing is deep enough to mount the entire blind inside of it, this is called a flush mount.

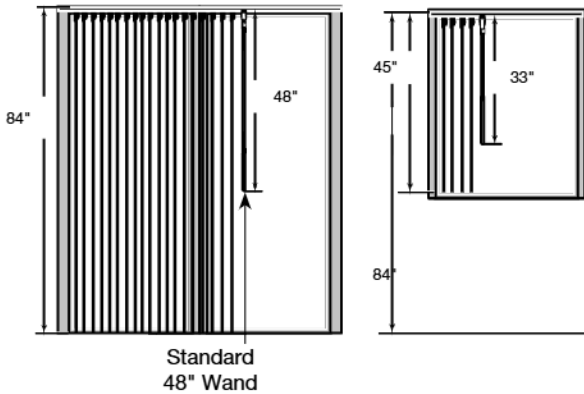
Options

Control Options



One Touch® Wand Control

- No charge
- A slender wand controls vane rotation and traversing
- Simple, convenient, safe (no cords and chains)
- Recommended for homes with children or pets
- Available with single stack, and split stack: opposite stack not available
- Wand is always attached to leading vane
- Split stack is only available in the U.S.
- When two headrails are butted together, a light gap of approximately 1" may exist where the louvers meet
- On split stacks, there is one wand located in the center of the track



G-71 (Premium Track) & G-98 (Smooth Track)			
Width		Height	
Minimum (inches)	Maximum (inches)	Minimum (inches)	Maximum (inches)
9	144	12*	104

Easy Track			
Width		Height	
Minimum (inches)	Maximum (inches)	Minimum (inches)	Maximum (inches)
5	191	8½	126

NOTE: Wider and longer Easy Track blinds will require a strong pull force due to their weight

Wand Sizes

Keep in mind that the wand length is determined by the finished blind height. If the vertical blind covers a patio door or the bottom of the vertical blind reaches the floor, the following chart indicates wand length. If the headrail distance from the floor is greater than 77" or there is any furniture in front of the blind, specify a 48" or 60" wand for easy accessibility.

Blind Height (inches)	Wand Height (inches)
77 or less*	33
77½ to 92	48
92½ to 96	60
96 to 126 (Easy Track only)	72

*If blind is less than 35", wand will be longer than vanes.

Options

Vertical Blinds and Sheer Vertical Blinds: Stacking Options



Split Stack
Left Controls
(right controls available)



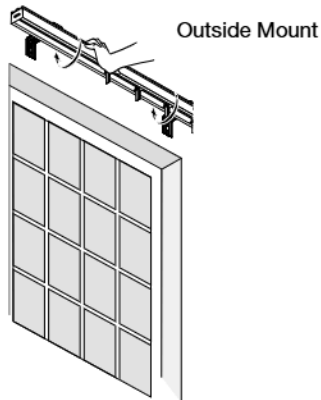
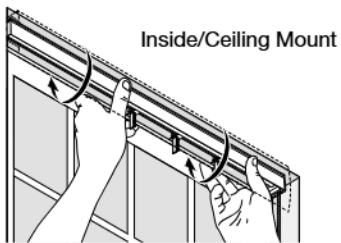
Left Stack
Same Side Stack
and Controls



Right Stack
Same Side Stack and
Controls

NOTE: Split stack not available for sheer verticals. All other verticals offer split stack (in the U.S. only).

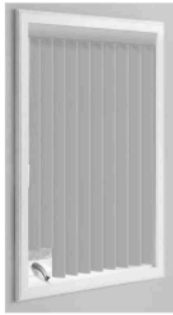
Vertical Blinds: Installation Types



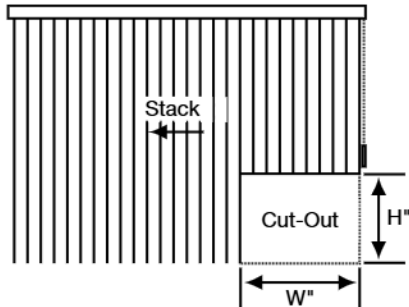
1. Inside Mount (not available for sheer verticals)—Ceiling or Top of Window Frame (standard)
Manufacturing height deduction is taken for blinds being installed as inside, ceiling mount with or without a valance.
2. Inside Mount (not available for sheer verticals)—Wall or Back of Window Frame
Manufacturing height deduction is taken for blinds being installed as inside mount using the L-bracket for a wall mount.
3. Outside Mount—Wall or Back (standard)
No manufacturing height deduction is taken.
4. Outside Mount—Ceiling or Top (optional)
No manufacturing height deduction is taken.

Options

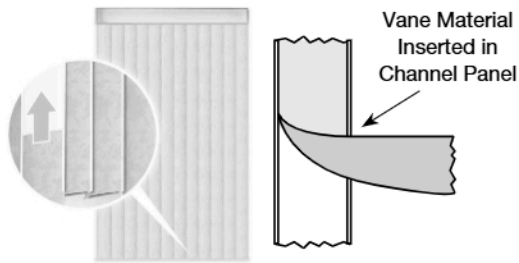
Vertical Blinds: Cut-Out Blinds



- For surcharges, see price charts
- Order when air conditioner, heating register, or other object would interfere with vanes
- Blind must stack away from cut-out area
- Specify size and base price by maximum width and height of blind
- Submit drawing to identify size and location of cut-out (see example)
- Minimum cut-out width 3½"
- Cut-out must be a full vane width (3½"); therefore may be wider than ordered



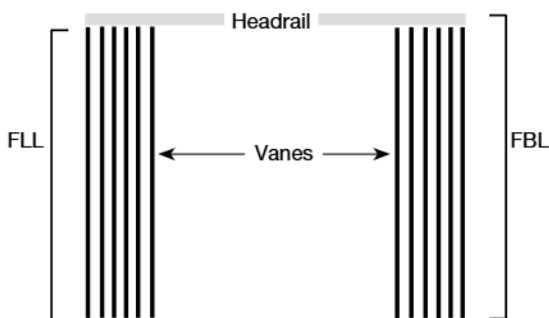
Vertical Blinds: Stay Clear™ Channel Panel for Fabric Vanes



- See price charts for surcharges
- For replacement channel panel pricing, see price charts
- Vane material inserted into extruded channel panel with clear edges; see blind features for fabric styles available
- Offers improved privacy, room darkening, and a neutral color appearance from exterior of window
- Channel panel colors are: Ivory (#7137) or White (#7136)

Vertical Blinds and Sheer Vertical Blinds: Replacement Vane Ordering

See the column at the far right of each price chart, for individual vane pricing based on material desired.



How to Price a Replacement Vane

- Use the price charts for individual vane pricing
- Determine which chart based on material desired
- Locate height of your vane on the left side of the chart
- Use the price in the "Replmt Vanes" column in the price charts that coincides with the height of vane desired

How to Measure a Replacement Existing Vane, No Changes

- Measure the vane(s) from tip to tip to determine the exact finished vane length/height (FLL)
- No additional deductions will be taken by manufacturing; vanes will be manufactured to the exact size you provide
- Submit the measurement as exact height

How to Measure a Replacement Existing Vane, Changing the Height of the Vanes

- Measure from top of mounted headrail to bottom of location to be covered
- Record this measurement; this is the finished blind length/height (FBL)
- Manufacturing will take appropriate deduction so vanes will cover desired area

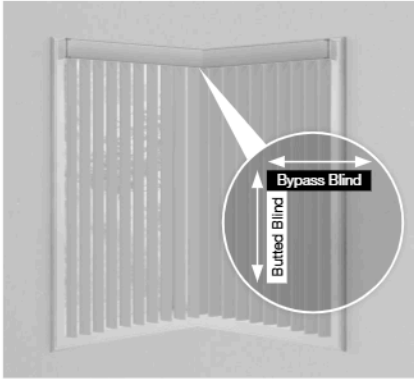
NOTE: Free hang fabric vanes include bottom weights.

Options

Vertical Blinds and Sheer Vertical Blinds: Bay and Corner Windows

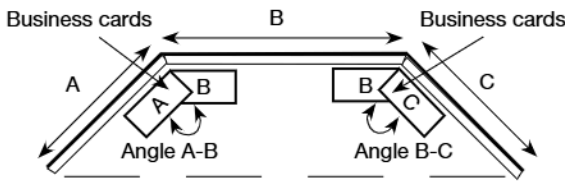
- No charge
- in order to minimize corner gaps, we recommend having the wand on the non-corner side of the tracks
- Square-corner valance with dust cover only
- Each blind is controlled separately
- List each track width and height on separate lines
- Price as separate blinds
- If no deductions are required, do not order as bay or corner
- Not available with sheer verticals

Measuring Information



Corner Window

Measure: Width of each window from corner to the point you would like to cover.

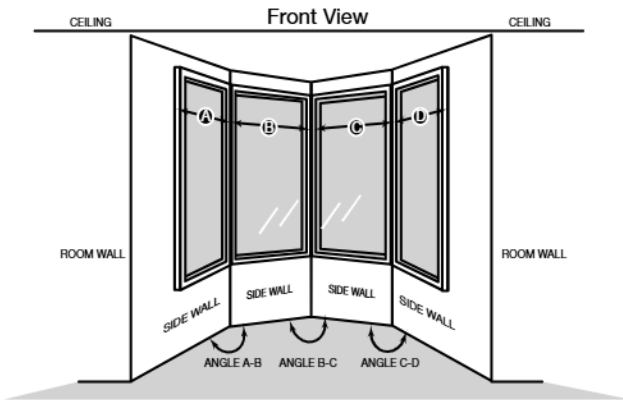


Three-Sided Bay Window

Measure:

- A and C: Width of side windows from the corners to the point you would like the blind to cover.
- B: Width of the center window from corner to corner.
- Angle A-B: Angle between windows (A) and (B).
- Angle B-C: Angle between windows (B) and (C).

Measure bay angle using protractor or angle finder. Or use two business cards in bay corner as illustrated and fax to customer service.

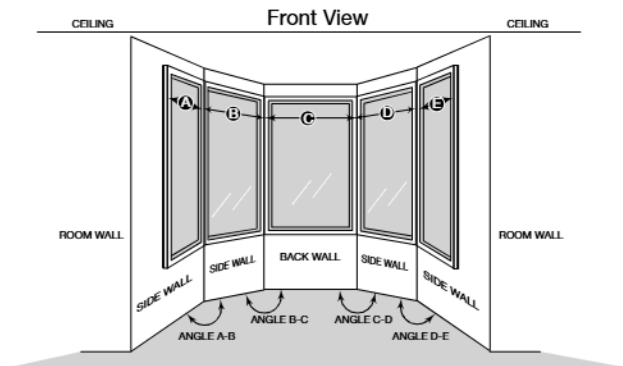


Four-Sided Bay Window

Measure:

- A and D: Width of side windows from the corners to the point you would like the blind to cover.
- B and C: Width of each window from corner to corner.
- Angle A-B: Angle between windows (A) and (B).
- Angle B-C: Angle between windows (B) and (C).
- Angle C-D: Angle between windows (C) and (D).

Measure bay angle using protractor or angle finder. Or use two business cards in bay corner as illustrated and fax to customer service.



Five-Sided Bay Window

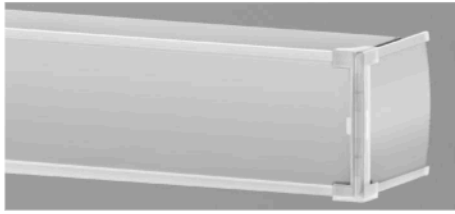
Measure:

- A and E: Width of side windows from the corners to the point you would like the blind to cover.
- B, C, and D: Width of each center window from corner to corner.
- Angle A-B: Angle between windows (A) and (B).
- Angle B-C: Angle between windows (B) and (C).
- Angle C-D: Angle between windows (C) and (D).
- Angle D-E: Angle between windows (D) and (E).

Measure bay angle using protractor or angle finder. Or use two business cards as illustrated and fax to customer service.

Options

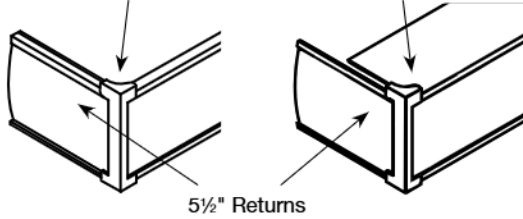
Vertical Blinds: Square-Corner Valance



- For surcharge, see price charts
- The square-corner valance is an extruded vinyl, Stay-Clear™ channel panel, which is sized to hold 3½" wide vane material; it includes two 5½" returns
- Valances greater than 192" must have a dust cover
- Vinyl valance inserts are not available over 191" wide

Square-Corner Valance without Dust Cover

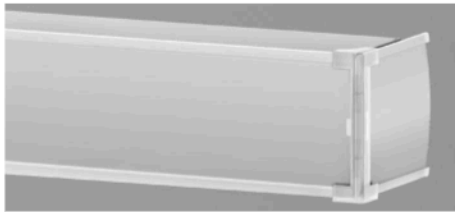
Square-Corner Valance with Dust Cover



Maximum Valance Size Limitations

	Valance		Returns	
	Maximum Vinyl (inches)	Maximum Fabric (inches)	Minimum (inches)	Maximum (inches)
Square-Corner Valance	191	191	3	8

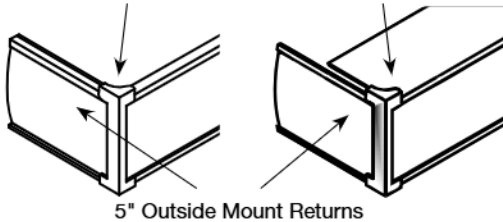
Easy Track Economy Channel and Square-Corner Valance



- For surcharge, see price charts
- The valances are an extruded vinyl, channel panel, which is sized to hold 3½" wide vane material; it includes two 5½" returns
- Valances greater than 192" must have a dust cover
- PVC valance inserts are not available over 191" wide

Economy Channel Panel Valance

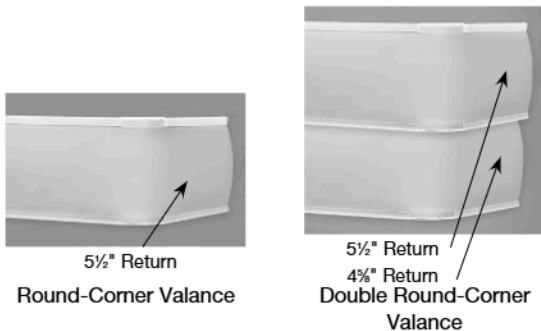
Square Corner Dust Cover Valance



Maximum Valance Size Limitations

	Valance		Returns	
	Maximum Vinyl (inches)	Maximum Fabric (inches)	Minimum (inches)	Maximum (inches)
Economy Channel Panel Valance	191	191	3	9
Square-Corner Valance	191	191	3	9

Vertical Blinds and Sheer Vertical Blinds: Round-Corner and Double Round-Corner Valances



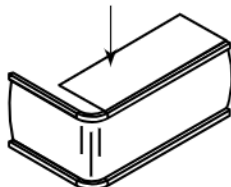
Outside Mount Only

- For surcharge, see price charts
- The round-corner valance system features the Stay-Clear channel panel and is guaranteed not to yellow; accommodates vinyl and fabric vanes as inserts; S-shaped style vanes use matching crown profile for valance insert
- Create a layered look with a double round-corner valance
- Round and double round-corner valances include 5½" returns
- Single round-corner valance: 3¾" high
- Double round-corner valance: 6½" high

Maximum Valance Size Limitations

	Valance		Returns	
	Maximum Vinyl (inches)	Maximum Fabric (inches)	Minimum (inches)	Maximum (inches)
Round-Corner Valance	171	191	3	8
Double Round-Corner Valance	171	191	3	8

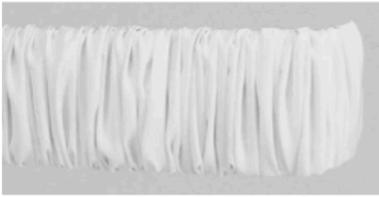
Round-Corner Valance with Dust Cover



Mount	Width Deductions (inches)
Outside	0
Inside	¼

Options

Sheer Vertical Blinds: Dauphine® Valance

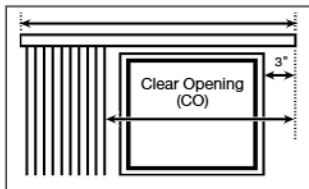


- No charge
- Fabric is Shirred for a soft look
- Snap-in brackets for easy installation
- Threader cap provides no-snag shirring of sheer fabric
- Notched for minimum 2½" returns and will extend to 7½" using the additional return slides which are included

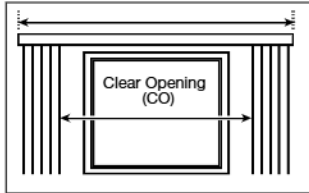
NOTE: Top hem of blind will be visible below the Dauphine valance.
Also available are wood cornices and valances; see cornice and valance product information guide for more information.

Vertical Blinds and Sheer Vertical Blinds: Clear Opening: How to Measure for Uncovered Window

Stack Left Finished Blind Width (FBW)



Split Stack
(recommended for
balanced appearance)
Finished Blind Width (FBW)



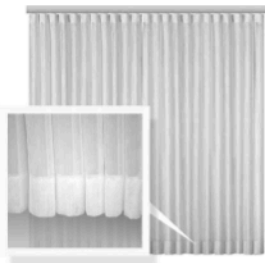
1. Determine headrail type and the clear opening width for split stack, stack right or stack left (see diagrams)—the additional 3" shown for privacy is recommended if ordering a right or left stack.
2. Match the clear opening width with dimension found under "CO" column below. For even spacing, round up width measurement to the next size in the stack chart. Split stack will have even number of vanes.
3. Order the corresponding dimension found in the "FBW" (finished blind width) column below.

EXAMPLE: Stack Left

If determined width for clear opening window view is 54¼", order width needed to provide full unobstructed view is 66¾".

NOTE: For stack right or stack left blinds add an additional 3" to the clear opening before calculating the finished blind width.
For G-98 (Smooth Track) and Easy Track headrails, and One Touch® Control, see appropriate stacking charts for single stack blinds only on the following pages.

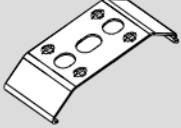
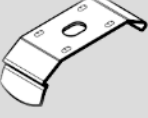
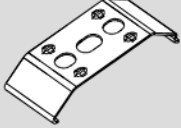

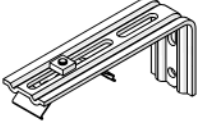
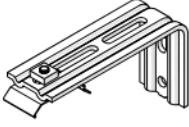
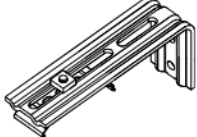
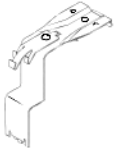



Sheer Vertical Blinds: Hem Style



- 4" drapery hem is standard

General Information

Vertical Blinds and Sheer Vertical Blinds: Installation Hardware

	G-71 (Premium Track)	G-98 (Smooth Track) & Easy Track	Sheer Vertical Blinds	
Track Clip for Inside or Ceiling Mount				Dauphine® Valance Bracket 
L-Bracket for Outside or Wall Mount				Dauphine Valance Bracket 
Optional Flat Projection Bracket (NOTE: Attaches to angle bracket with nut/bolt pairs. Must be requested at time of order.)				

Vertical Blinds and Sheer Vertical Blinds: Number of Mounting Brackets

Sheer Vertical Blinds: Number of headrail and Dauphine valance mounting brackets

Blind Width (inches)	17 to 54	54 ¹ / ₁₆ to 81	81 ¹ / ₁₆ to 108	108 ¹ / ₁₆ to 135	135 ¹ / ₁₆ to 162	162 ¹ / ₁₆ to 191
Number of Brackets	2	3	4	5	6	7

G-98 (Smooth Track) & Easy Track Headrail

Blind Width (inches)	9 to 50	50 to 90	91 to 130	131 to 160	161 to 180	181 to 191
Number of Brackets	2	3	4	5	6	7

G-71 (Premium Track) Headrail

Blind Width (inches)	9 to 62	63 to 98	99 to 134	135 to 170	171 to 191
Number of Brackets	2	3	4	5	6

General Information

Vertical Blinds: Vane Stacking Chart: 3½"

G-71 (Premium Track)				
Number of Vanes	Single Stack		Split Stack	
	CO (inches)	FBW (inches)	CO (inches)	FBW (inches)
3	6½	9¼		
4	8¼	12½	6¼	12
5	11¼	16		
6	14¼	19¼	11½	18½
7	16¼	22½		
8	19¼	25½	16½	24½
9	22	28½		
10	24¼	31¼	22¼	31
11	27¼	35		
12	30	38½	27½	37¼
13	32½	41¼		
14	35¼	44½	32¼	43½
15	37¼	47½		
16	40½	50½	38½	49½
17	43¾	53¾		
18	46	57	43¾	56½
19	48¾	60¾		
20	51¼	63¼	48¾	62¾
21	53¾	66¾		
22	56½	69¾	54	68¾
23	59¾	73¾		
24	62¼	76¼	59¾	75
25	64¾	79¾		
26	67½	82½	64¾	81¾
27	70¼	85¼		
28	72¾	88¾	70	87¾
29	75½	92		
30	78¾	95¾	75¼	93¾
31	80¾	98¾		
32	83¾	101¾	80¾	100¾
33	86¾	104¾		
34	88¾	107¾	85¾	106½
35	91¾	110¾		
36	94	114	91¾	112¾
37	96¾	117¾		
38	99¾	120¾	96½	119¾
39	102	123½		
40	104¾	126¾	101¾	125¾
41	107¾	129¾		
42	110	132¾	107	131¾
43	112¾	136		
44	115¾	139¼	112½	138
45	118	142¾		
46	120¾	145½	117¾	144¼
47	123¼	148¾		
48	125¾	151¼	123¾	150¾
49	128¾	155		
50	129¾	156	127½	156

G-98 (Smooth Track)				
Number of Vanes	Single Stack		Split Stack	
	CO (inches)	FBW (inches)	CO (inches)	FBW (inches)
3	6	9½		
4	8½	12¼	6½	12½
5	11½	15¼		
6	14½	19	11½	18½
7	17½	22¼		
8	20	25¼	17½	24¾
9	22¼	28¾		
10	25¼	31½	23¾	30¾
11	28¼	34½		
12	31	37¾	28½	37
13	33¾	40¾		
14	36¾	43¾	34¾	43¼
15	39¾	47		
16	42¾	50¾	39¾	49½
17	45	53¼		
18	47¾	56¾	45¼	55¼
19	50¾	59¾		
20	53¼	62½	50¾	61¾
21	56	65¾		
22	58¾	68¾	56¾	68¾
23	61¾	71¾		
24	64¾	75	61¾	74¾
25	67¾	78¾		
26	70	81¼	67½	80¾
27	72¾	84¼		
28	75¾	87¾	72¾	86¾
29	78¼	90½		
30	81	93¾	78½	93
31	83¾	96¾		
32	86½	99¾	84¾	99¼
33	89¾	103		
34	92¾	106¾	89¾	105½
35	94¾	109¾		
36	97¾	112¼	95¼	111¼
37	100¾	115¾		
38	103¾	118½	100¾	117¾
39	106	121¾		
40	108¾	124¾	106¾	124¾
41	111½	127¾		
42	114¾	131	111¾	130¾
43	117¾	134¾		
44	119¾	137¾	117½	136¾
45	123	140¾		
46	125¾	143¾	122¾	142¼
47	128½	146¾		
48	131¾	150	128½	149
49	134¾	153¾		
50	136¾	156	134¾	155¼
51				
52			134¾	156

Easy Track				
Number of Vanes	Single Stack		Split Stack	
	CO (inches)	FBW (inches)	CO (inches)	FBW (inches)
2	3¾	6½		
3	6¾	9¾		
4	9¼	12¾	7¾	12½
5	12	15¾		
6	14¾	19	13¼	19¾
7	17¾	22¼		
8	20	25¼	18¾	25¾
9	22¾	28¾		
10	25¾	31½	24	31¾
11	28¾	34¾		
12	30¾	37¾	29¾	37¾
13	33¾	40¾		
14	36¾	44	34¾	44¾
15	38¾	47¼		
16	41½	50¼	40¾	50¾
17	44¼	53¾		
18	46¾	56½	45½	56¾
19	49¾	59¾		
20	52¼	62¾	50¾	62¾
21	55	65¾		
22	57¾	69	56¼	69¾
23	60¾	72¼		
24	63	75¼	61¾	75¾
25	65¾	78¾		
26	68¾	81½	67	81¾
27	71¾	84¾		
28	73¾	87¾	72¾	87¾
29	76½	90¾		
30	79¾	94	77¾	94¾
31	81¾	97¼		
32	84½	100¼	83¾	100¾
33	87¼	103¾		
34	89¾	106½	88½	106¾
35	92¾	109¾		
36	95¼	112¾	93¾	112¾
37	98	115¾		
38	100¾	119	99¼	119¾
39	103¾	122¾		
40	106	125¼	104¾	125¾
41	108¾	128¾		
42	86¾	106½	110	131¾
43	114¾	134¾		
44	116¾	137¾	115¾	137¾
45	119½	140¾		
46	122¾	144	120¾	144¾
47	124¾	147¾		
48	127½	150¼	126¾	150¾
49	130¼	153¾		
50	82¾	106½	131½	156¾
51	135¾	159¾		
52	138¼	162¾	136¾	162¾
53	141	165¾		
54	143¾	169	142¼	169¾
55	146¾	172¾		
56	149	175¼	147¾	175¾
57	15¼	178¾		
58	154¾	181½	153	181¾
59	157¾	184¾		
60	159¾	187¾	158¾	187¾
61	162½	190¾		
62	165¾	194	163¾	194¾

FBW = Finished Blind Width
 CO = Clear Opening
 Stack = FBW – CO

NOTE: This chart is intended for reference purposes only and is estimated by taking the Vertical Width divided by 3.125 and rounding up to the next vane.

For even spacing on outside mounts, round up width measurement to the next size in the stack chart. Split stack blinds must have an even number of vanes.

General Information

Sheer Vertical Blinds: Vane Color Coordination Chart

Fabric Name	Color Name	Color Number	Recommended Vane Color
Dijon	Downey	2221	White
	Extra White	2220	White
	Stucco	2222	Ivory
Gossamer	Champagne	1720	Ivory
	Snowstone	1724	White
	White	1725	White
Highlight	Champagne	1740	Ivory
	Snowstone	1741	White
	White	1742	White

Sheer One Touch®: Vane Stacking Chart: Outside Mount

Number of Vanes	Single Stack	
	CO (inches)	FBW (inches)
5	11½	16½
6	13¾	19¾
7	16½	22¾
8	19¾	25½
9	21¾	28¾
10	24¾	31¾
11	27	35
12	29¾	38¾
13	32¾	41¾
14	35	44¾
15	37¾	47½
16	40¾	50¾
17	43	53¾
18	45¾	57

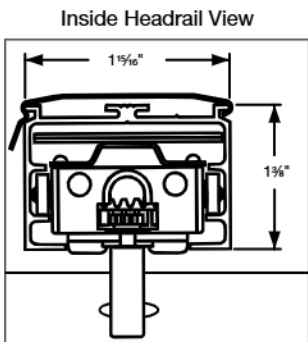
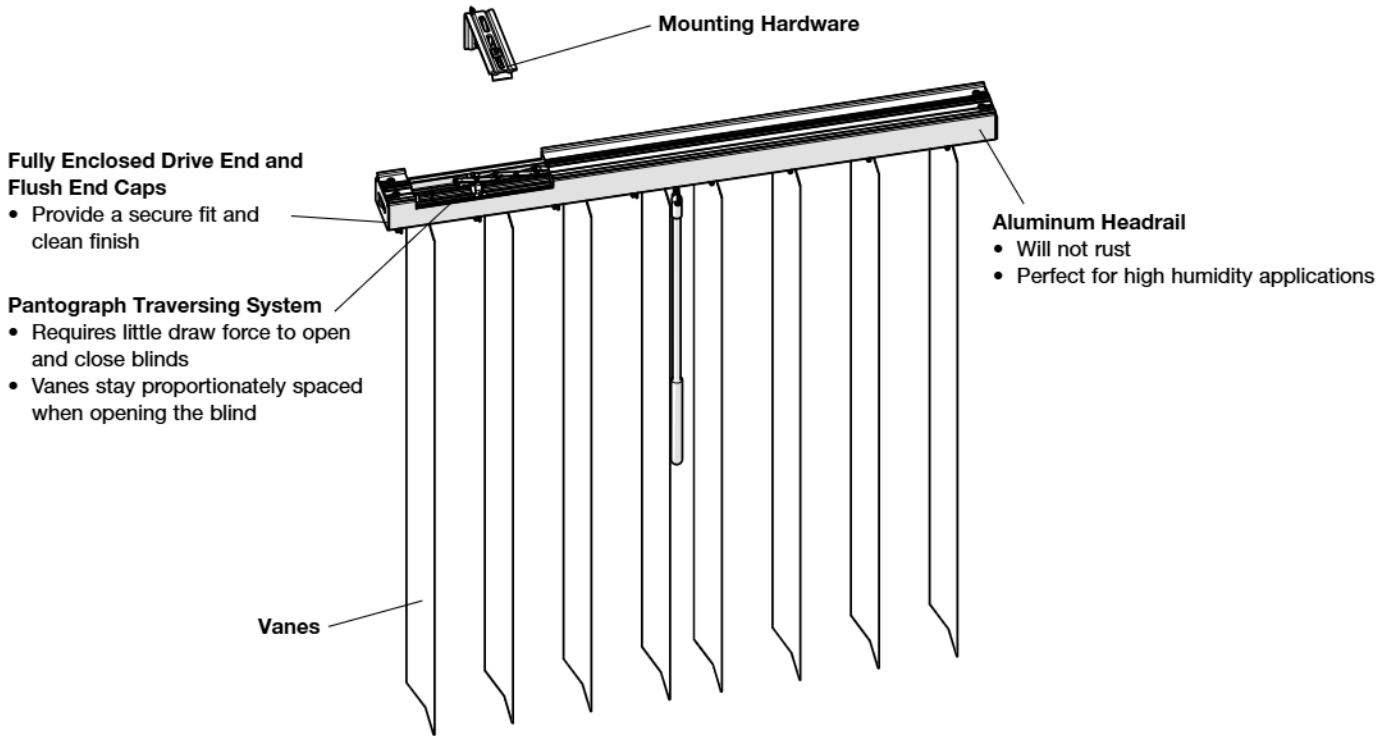
Number of Vanes	Single Stack	
	CO (inches)	FBW (inches)
19	48¼	60¾
20	50¾	63¾
21	53¾	66½
22	56¼	69¾
23	58¾	72½
24	61¼	75¾
25	64	78¾
26	66¾	82
27	69¾	85¾
28	71¾	88¾
29	74¾	91¾
30	77¼	94½
31	79¾	97¾
32	82½	100¾

Number of Vanes	Single Stack	
	CO (inches)	FBW (inches)
33	85¾	104
34	87¾	107¾
35	90½	110¾
36	93¾	113¾
37	95¾	116¾
38	98½	119¾
39	101¾	122¾
40	103¾	126
41	106¾	129¾
42	109	132¾
43	111¾	135½
44	114¾	138¾
45	117	141¾
46	118¾	144

FBW = Finished Blind Width
 CO = Clear Opening
 Stack = FBW – CO

General Information

G-71 (Premium Track) Product Detail



Features	Benefits
Heavy-Duty Anodized Aluminum Headrail	Will not rust; ideal for high-humidity applications
Rack and Pinion Gear System	Allows vanes to rotate smoothly and easily
Centrally Located Carrier Stems	Reversible headrail
Pantograph System	Requires very little draw force to open and close blinds; vanes stay proportionately spaced when opening the blind
One Touch® Control	Safety and convenience
Removable Stems	Ability to repair instead of remaking—less invasive for the customer
Clear Nylon Vane Stems	Nearly invisible, yet extremely strong

General Information

G-98 (Smooth Track) Product Detail

Thin Profile Carrier System

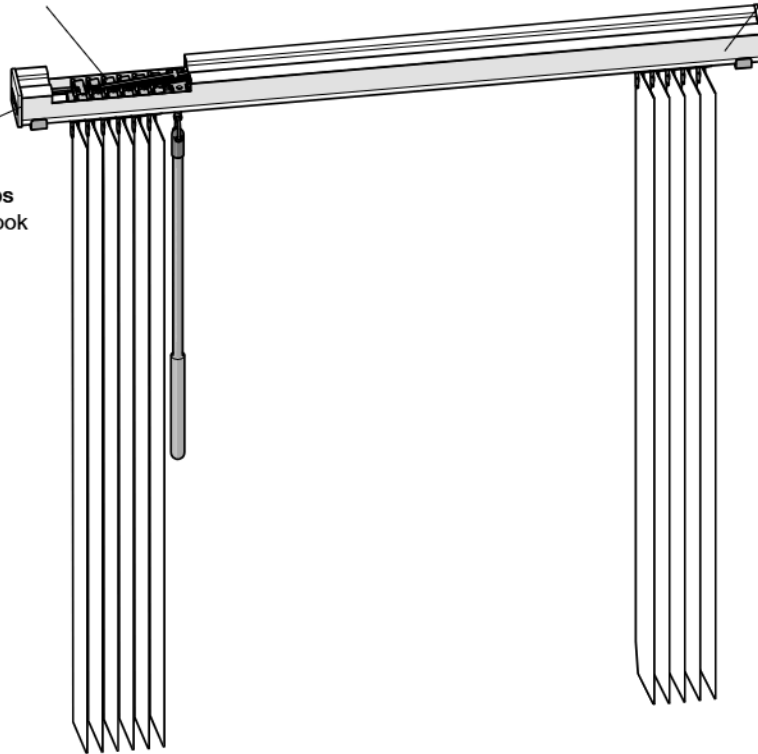
- Narrow carrier width provides reduced vane stack
- Self-aligning carriers for trouble-free operation

Aluminum Headrail

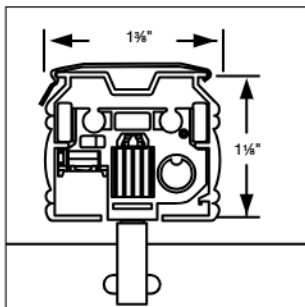
- Will not rust
- Perfect for high-humidity applications

Color Coordinated End Caps

- Provide a clean, finished look



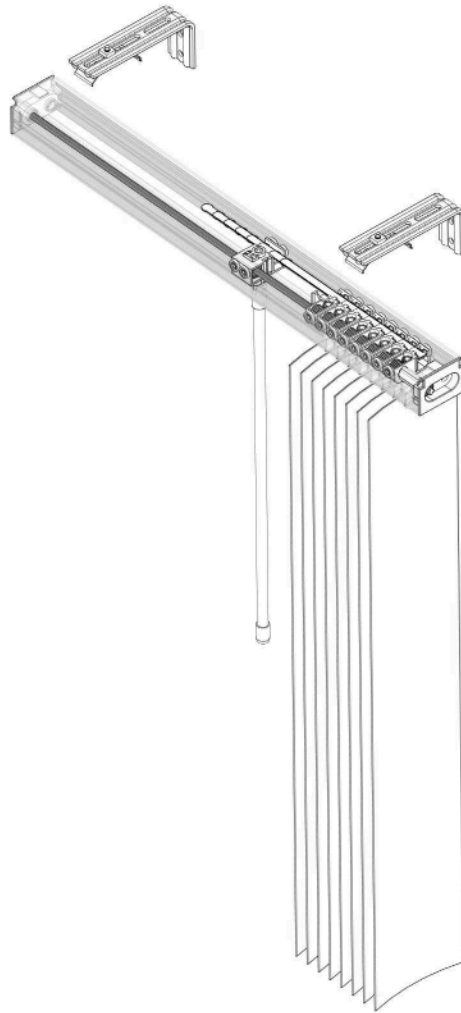
Inside Headrail View



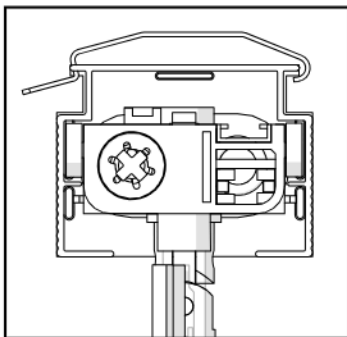
Features	Benefits
Heavy-Duty Anodized Aluminum Headrail	Will not rust; ideal for high-humidity applications
Thin Profile Carriers	Reduced stack
Self-Aligning Carriers	Trouble-free operation
Fully Enclosed Drive and Flush End Caps	Provides a secure fit and clean finished appearance
Low-Friction Wheeled Carriers	Vanes traverse smoothly
One Touch® Control	Safety and convenience
Centrally Located Carrier Stems	Headrail reversible for right or left control installation
Clear Nylon Vane Stems	Nearly invisible, yet extremely strong
Removable Stems	Ability to repair instead of remaking; less invasive for customer

Options

Easy Track Product Detail



Inside Headrail View



Features	Benefits
Heavy-Duty Anodized Aluminum Headrail	Will not rust; ideal for high-humidity applications
Thin Profile Carriers	Reduced stack
Self-Aligning Carriers	Trouble-free operation
Fully Enclosed Drive and Flush End Caps	Provides a secure fit and clean finished appearance
Low-Friction Wheeled Carriers	Vanes traverse smoothly
One Touch® Control	Safety and convenience
Centrally Located Carrier Stems	Headrail reversible for right or left control installation
Clear Nylon Vane Stems	Nearly invisible, yet extremely strong
Removable Stems	Ability to repair instead of remaking; less invasive for customer